

TECHNICAL MANUAL

BLUE PAPER WILDFES

CARBON & HYDRO 2020

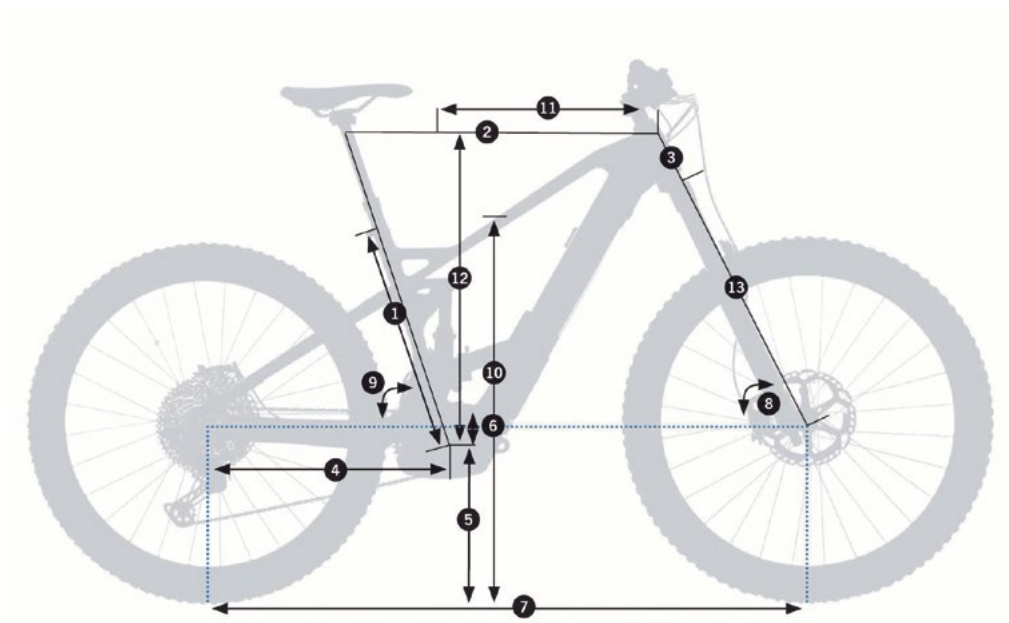
ORBEA



INDEX

GEOMETRY & ERGONOMY	4
TECHNICAL SPECIFICATIONS	6
SADDLE HEIGHT WITH DROPPER SEATPOST	8
HEADTUBE AND HEADSET	9
REAR AXLE	11
LINKAGE	12
MAIN PIVOT	14
SHOCK PIVOT	15
PROTECTORS	16
CHAINGUIDE	19
MOTOR ASSEMBLY	20
CABLING	21
BATTERY COVER	27
KIOX DISPLAY OC HOLDER	28
INTERNAL BATTERY ASSEMBLING	30
EXTERNAL BATTERY ASSEMBLING	34
REAR SHOCK ADJUSTMENT	37
MAINTENANCE	38
ORBEA WARRANTY	40

GEOMETRY & ERGONOMY



SIZE	SM	LG	XL
1 - Seat tube (c-t)	406	444	483
2 - Top tube (eff)	585	612	645
3 - Head tube	100	110	125
4 - Chainstay	455	455	455
5 - Bb height	345	345	345
6 - Bb drop	30	30	30
7 - Wheelbase	1203	1232	1268
8 - Head angle	65,5°	65,5°	65,5°
9 - Seat angle	76°	76°	76°
10 - Standover heigh	725	740	765
11 - Reach	430	455	485
12 - Stack	621	630	644
13 - Fork length	570	570	570

HEIGHT (CM)	HEIGHT (IN)	SIZE
160-175	63.0"-68.9"	S/M
170-185	66.9"-72.8"	L
180-198	70.9"-78.0"	XL

*The sizing measurements are orientative.

TECHNICAL SPECIFICATIONS

FRAME MATERIAL	FULL CARBON	CARBON+ALLOY	FULL ALLOY
FRONT TRINAGLE	CARBON	CARBON	ALLOY
REAR TRIANGLE	CARBON	ALLOY	ALLOY
BIELETA	CARBON	ALLOY	ALLOY
BATTERY COVER	CARBON	CARBON	POLYMER
INTENDED USE	TRAIL, ALL MOUNTAIN, ENDURO		
SIZES	S/M,LG,XL		
REAR TRAVEL	160MM		
FORK TRAVEL	160MM		
WHEEL SIZE	29" (ALL SIZES)		
MAX. TYRE SIZE	29X2.6 (EXTERNAL DIAMETER 752MM, WIDTH 62MM)		
FORK OFFSET	44MM		
BOTTOM BRACKET	MOTOR BOSCH GEN4		
HEADSET	SEMI INTEGRATED 1 1/8-1,5 WITH STEERING LIMITER 164°		
REAR AXLE STANDARD	BOOST 12X148		
REAR AXLE MEASUREMENTS	12X187		
REAR AXLE THREAD PITCH	1.5MM		
SEATPOST DIAMETER	31.6MM		
SEATPOST CLAMP DIAMETER	35MM		
SEATPOST MAX. INSERTION	SM(200MM) LG(225MM) XL(245MM)		
FRONT DERAILLEUR	N/A. 1X ONLY		
MAX. CHAINRING SIZE	38T		
Q FACTOR	149,8MM [74,9MM DRCH / 74,9MM IZQ]		
CHAINLINE	53MM		
MAX. CRANK LENGHT	165MM		
BRAKES	DISC POST MOUNT *		

REAR ROTOR MAX. SIZE	200MM
REAR ROTOR MIN. SIZE	180MM
SHOCK MEASUREMENTS	205X65 TRUNION
SHOCK HARWARE	NOT NEEDED
CHAINGUIDE	YES. BOSCH GEN 4 SPECIFIC
ICGS	NO
CABLING	INTERNAL (FULL SLEEVE)
LEFT-ROAD CABLING READY	YES
BOTTLE HOLDER	1. ALL SIZES
COMPATIBLE DI2	NO
COMPATIBLE SRAM AXS	YES
DRIVETRAIN COMPATIBILITY	11 AND 12 SPEED
POWERMETER COMPATIBILITY	NO
RECOMMENDED SAG	25%-30%
INTERNAL BATTERY	YES. IN DOWNTUBE. 625WH Ó 500WH. BOSCH POWERTUBE
EXTERNAL BATTERY OPTION	YES. 500WH. BOSCH POWERPACK
MOTOR	BOSCH GEN 4 ONLY
MOTOR MOUNTING ANGLE	20°
BOSCH DISPLAY	KIOX OR PURION
DISPLAY BRACKET	OC COMPONENTS. 3 POSITIONS

* Not all calipers and rotors in the market are compatible with all frames.
All componets specificated from Orbea have been tested. For aftermarket options, check componentes dimensions and tolerances before purchasing.

SADDLE HEIGHT WITH DROPPER SEATPOST

These saddle maximum and minimum heights are defined for dropper seatposts specified with the Orbea range models. For other dropper seatpost the measurements may change.

The values are given in millimeters and always refer to the saddle in its extended position.

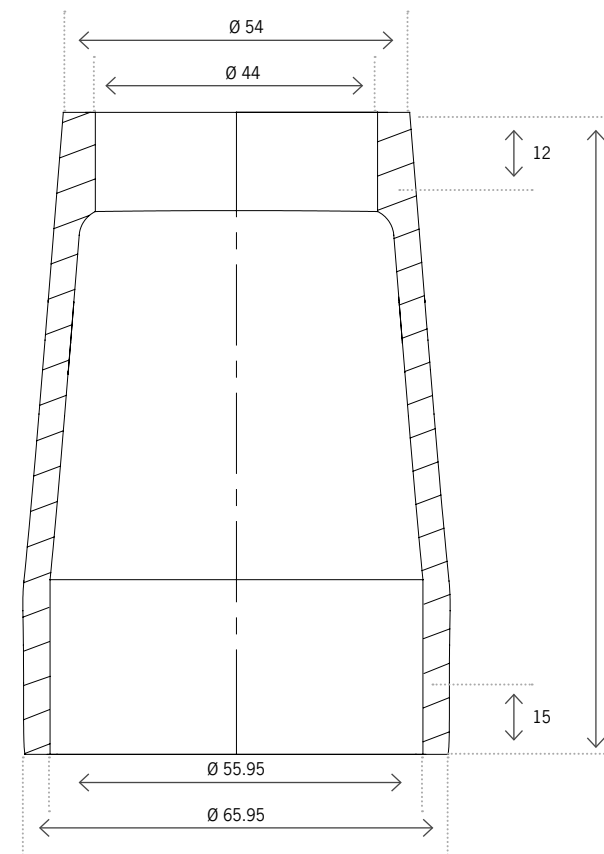
The measurements are given from the center of the bottom bracket to the point of the saddle clamp where the rails attach. Different saddles may have different stack measurements to the top of the saddle. Check the saddle specifications and add that measurement to the values on the table below.

		S/M	LG	XL
OC2 DROPPER 125MM	MINIMUM SADDLE HEIGHT	633	677	710
	MAXIMUM SADDLE HEIGHT	766	804	843
OC2 DROPPER 150MM	MINIMUM SADDLE HEIGHT	658	702	735
	MAXIMUM SADDLE HEIGHT	791	829	868
OC2 DROPPER 170MM	MINIMUM SADDLE HEIGHT	678	722	755
	MAXIMUM SADDLE HEIGHT	811	849	888

HEADTUBE AND HEADSET

Wild FS specs a steering limiter headset to prevent the fork's crown to contact the downtube while allowing for all the necessary steering angle.

Avoid using headsets without steering limiter to prevent damage to the frame.



HEADSET ACROS 1 1/8-1 1/2

STEERING LIMITER 164°

(BEARINGS INCLUDED, STARNUT NOT INCLUDED)

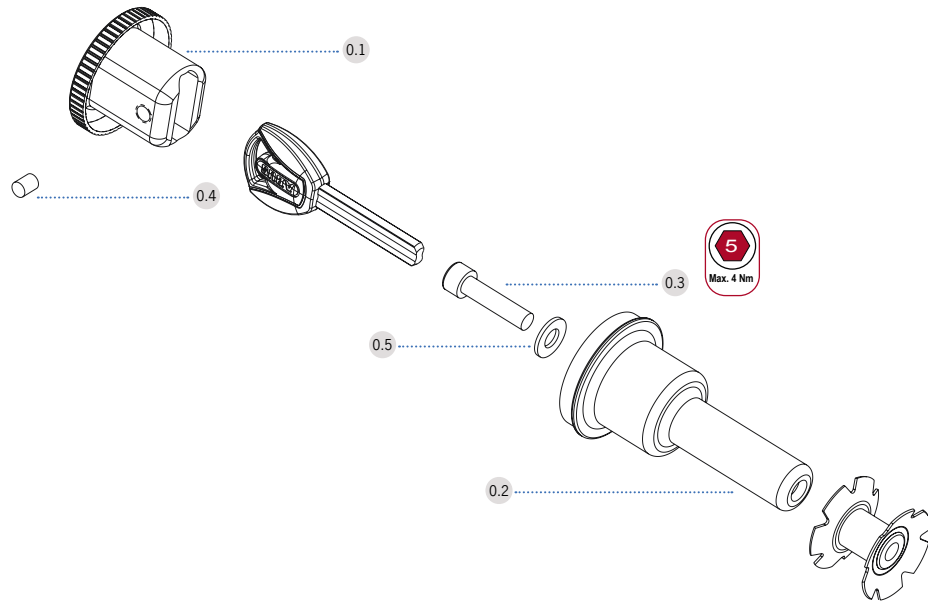
CARBON: YES | HYDRO: YES

ART N°: 14030205

QUANTITY

HEADSET ACROS 1 1/8-1 1/2 | STEERING LIMITER 164°

1



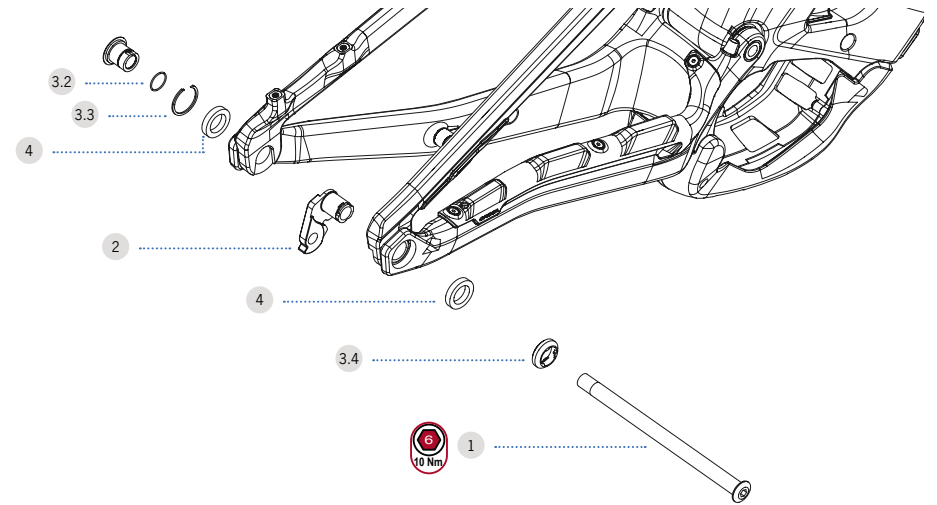
STEERER TUBE BATTERY KEY HOLDER KIT

CARBON: YES | HYDRO: YES

00	KIT N°: Y0000200	QUANTITY
0.1	KEY HOLDER SCREWCAP	1
0.2	EXTENDER HOLDER TOPCAP	1
0.3	BOLT M6x30	1
0.4	KEY HOLDER SETSCREW	1
0.5	ARANDELA M6	1

* For the correct installation of the extended holder topcap, the starnut must be set deeper than usual into the fork's steerer tube to allow the headset to be adjusted correctly.

REAR AXLE



REAR AXLE 12X148

CARBON: YES | HYDRO: YES

01	ART N°: 11100064	QUANTITY
	REAR AXLE 12x148	1

DERAILLEUR HANGER

CARBON: YES | HYDRO: YES

02	ART N°: 15430176	QUANTITY
	DERAILLEUR HANGER	1

KIT AXLE PIVOT (DERAILLEUR HANGER NOT INCLUDED)

CARBON: YES | HYDRO: YES

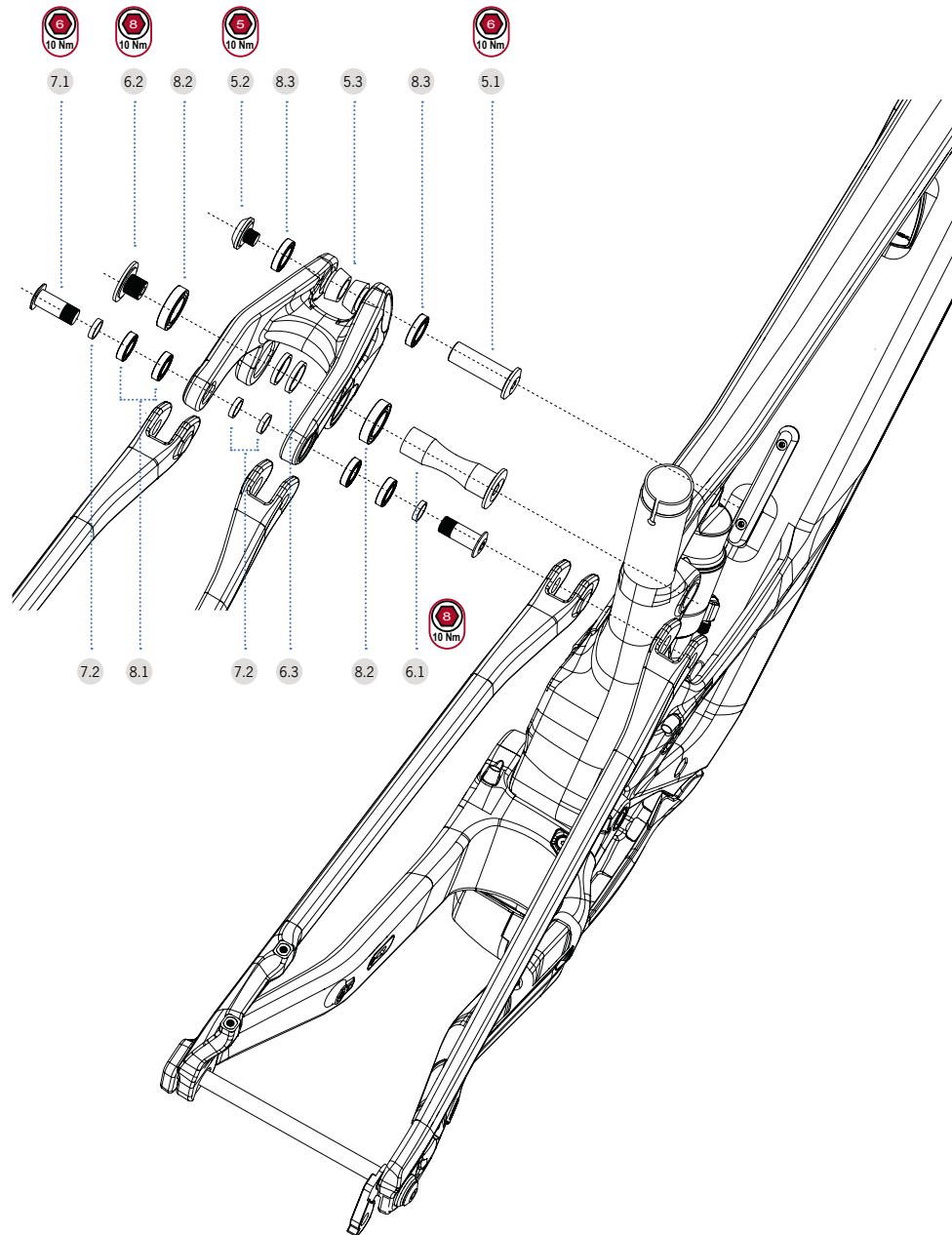
03	KIT N°: Y0000128	QUANTITY
3.1	LEFT AXLE NUT	1
3.2	O-RING LEFT 13X1	1
3.3	CIRCLIP LEFT SB26	1
3.4	DER. HANGER HOLDER NUT	1

REAR AXLE BEARING KIT

CARBON: YES | HYDRO: YES

04	KIT N°: Y0000129	QUANTITY
	BEARING 6803	2

LINKAGE



LINKAGE-SHOCK AXLE KIT

CARBON: YES | HYDRO: YES

05 KIT N°: Y0000201

QUANTITY

5.1	LINKAGE-SHOCK AXLE	1
5.2	LINKAGE-SHOCK BOLT	1
5.3	LINKAGE-SHOCK SPACER	2

LINKAGE-FRAME AXLE KIT

CARBON: YES | HYDRO: YES

06 KIT N°: Y0000202

QUANTITY

6.1	LINKAGE-FRAME AXLE	1
6.2	LINKAGE-FRAME BOLT	1
6.3	WASHER 20x23,85x3,2	2

LINKAGE-SEATSTAYS HARWARE KIT

CARBON: YES | HYDRO: YES

07 KIT N°: Y0000203

QUANTITY

7.1	LINKAGE-SEATSTAYS BOLT	2
7.2	WASHER 12x14x3,2	4

WILD FS LINKAGE BEARING KIT

CARBON: YES | HYDRO: YES

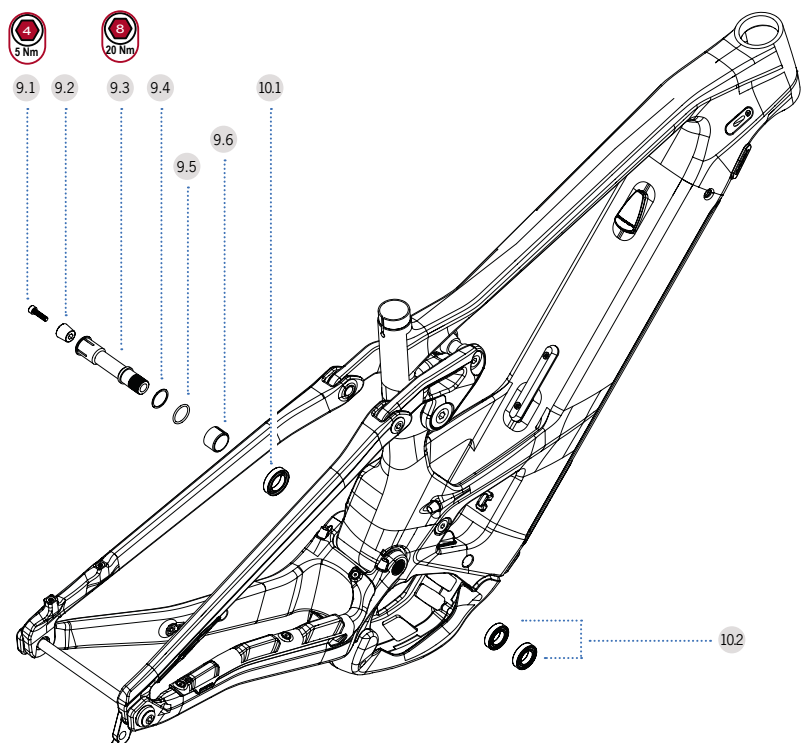
08 KIT N°: Y0000204

QUANTITY

8.1	BEARING 6801	4
8.2	BEARING 6804	2
8.3	BEARING 6802	2

* The carbon and aluminum Wild FS linkage are only available through your Orbea dealer.

MAIN PIVOT



MAIN PIVOT AXLE KIT

CARBON: YES | HYDRO: YES

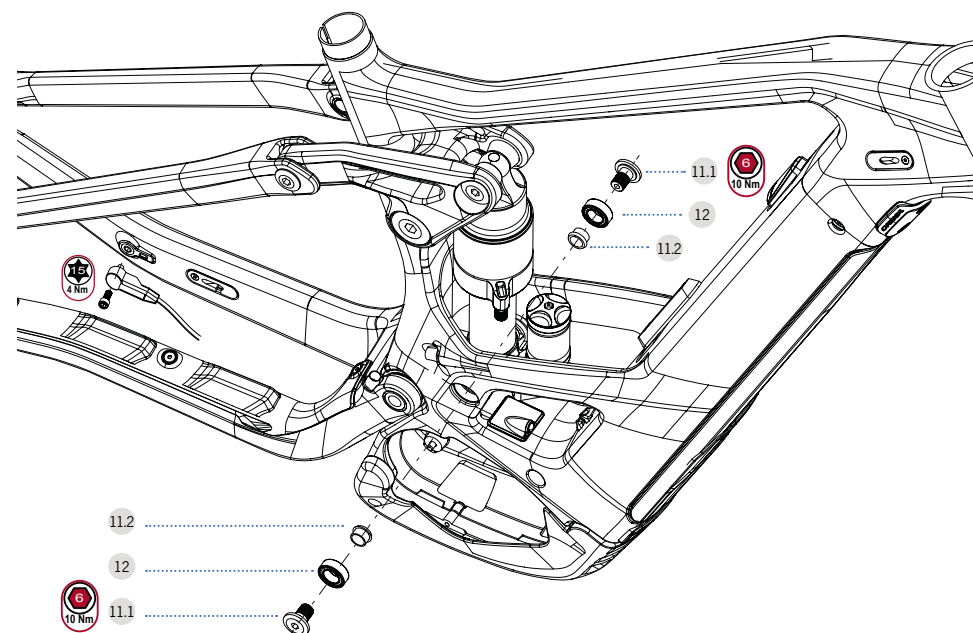
09	KIT N°: Y0000205	QUANTITY
9.1	BOLT M5x20	1
9.2	EXPANDER CONE MAIN PIVOT	1
9.3	MAIN PIVOT AXLE	1
9.4	WASHER 20x23x0,5	1
9.5	O-RING	1
9.6	PRELOAD BUSHING MAIN PIVOT.	1

KIT RODAMIENTOS EJE PRINCIPAL

CARBON: YES | HYDRO: YES

10	KIT N°: Y0000206	QUANTITY
10.1	BEARING 6804	1
10.2	BEARING 6903	2

SHOCK PIVOT



SHOCK-FRAME AXLE KIT

CARBON: YES | HYDRO: YES

11	KIT N°: Y0000207	QUANTITY
11.1	SHOCK-FRAME BOLT	2
11.2	TRUNION SHOCK-FRAME SPACER	2

SHOCK-FRAME AXLE BEARINGS

CARBON: YES | HYDRO: YES

12	KIT N°: Y0000208	QUANTITY
	BEARING 63801	2

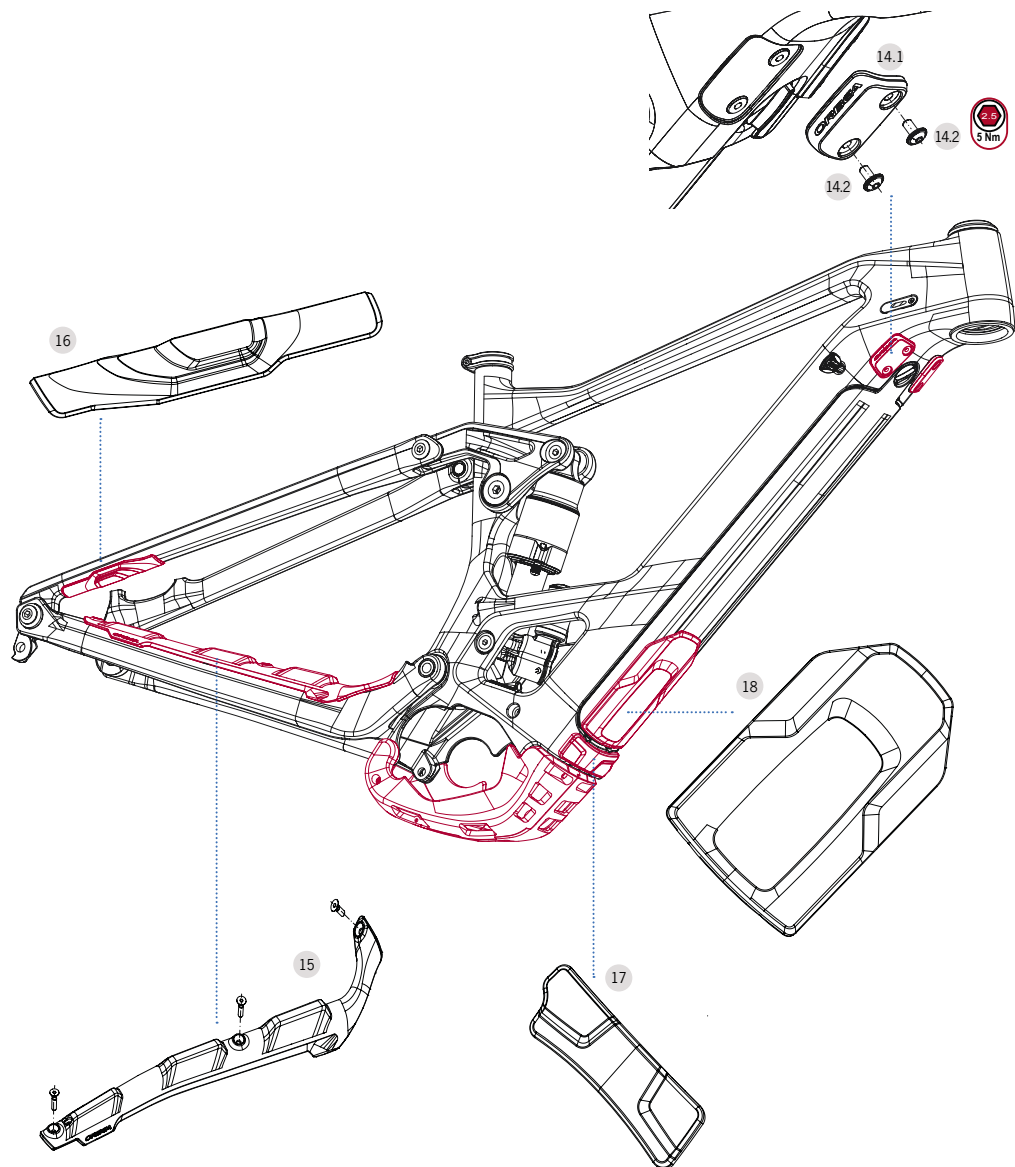
DPX2 SHOCK VALVE EXPENDER

CARBON: YES | HYDRO: YES

13	ART N°: 12300084	QUANTITY
	DPX2 SHOCK VALVE EXPENDER	1

FOX DPX2 shocks need an air valve extender to be fitted to facilitate the use of a shock pump. FOX FLOAT X2 do not need this extender.

PROTECTORS



DOWNTUBE PROTECTORS

CARBON: YES | HYDRO: YES

14 KIT N°: Y0000209

QUANTITY

14.1 DOWNTUBE PROTECTOR STOP. LEFT&RIGHT

2

14.2 BOLT M4x12

4

RIGHT CHAINSTAY PROTECTOR

CARBON: YES | HYDRO: YES

15 KIT N°: Y0000210

QUANTITY

15.1 RIGHT CHAINSTAY PROTECTOR

1

15.2 BOLT M4x15

3

RIGHT CHAINSTAY PROTECTOR

CARBON: YES | HYDRO: YES

16 ART N°: 11000518

QUANTITY

RIGHT CHAINSTAY PROTECTOR

1

DOWNTUBE RUBBER PROTECTOR

CARBON: YES | HYDRO: YES

17 ART N°: 11000516

QUANTITY

DOWNTUBE RUBBER PROTECTOR

1

BATTERY COVER RUBBER PROTECTOR

CARBON: YES | HYDRO: YES

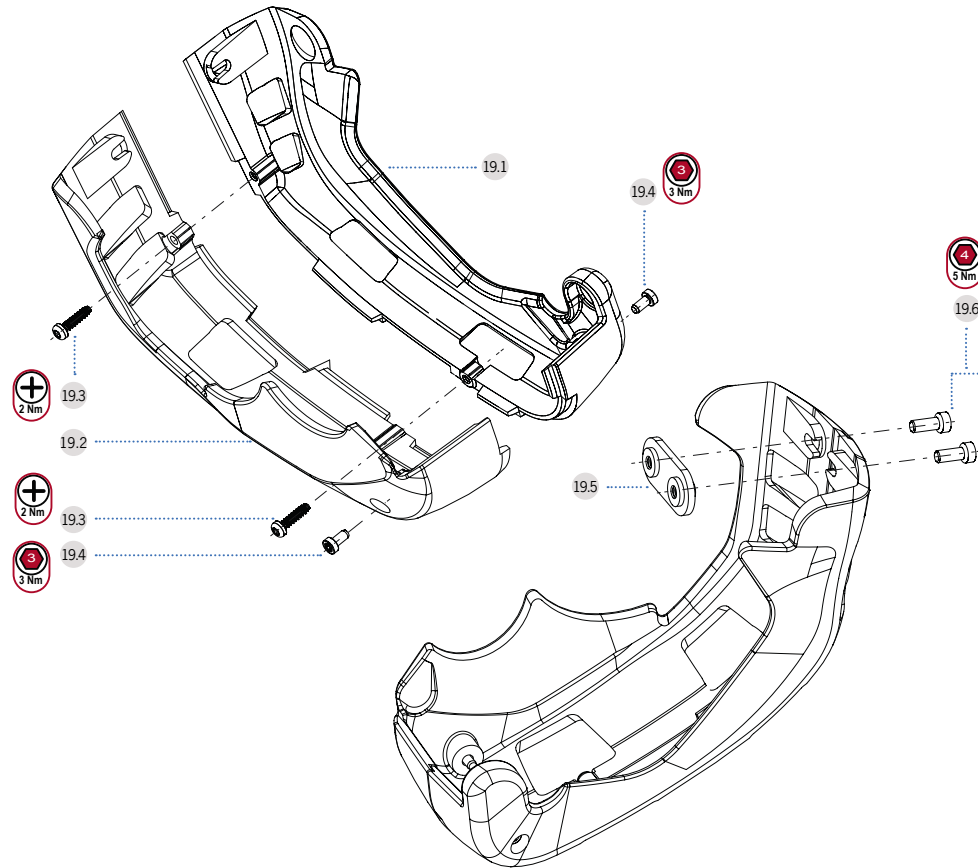
18 ART N°: 11000517

QUANTITY

BATTERY COVER RUBBER PROTECTOR. For carbon battery cover

1

PROTECTOR MOTOR

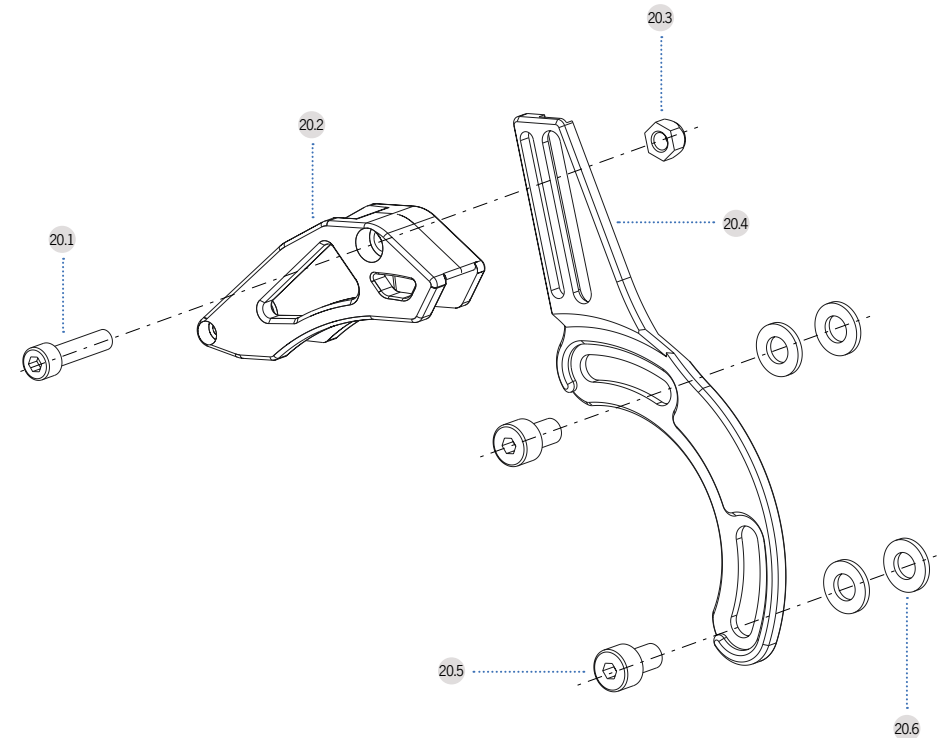


MOTOR PROTECTOR KIT

CARBON: YES | HYDRO: YES

19	KIT N°: Y0000211	QUANTITY
19.1	RIGHT MOTOR PROTECTOR	1
19.2	LEFT MOTOR PROTECTOR	1
19.3	BOLT M4.1x16	2
19.4	BOLT M4x8	2
19.5	MOTOR PROTECTOR FIXING PLATE	1
19.6	BOLT M5x12	2

CHAINGUIDE



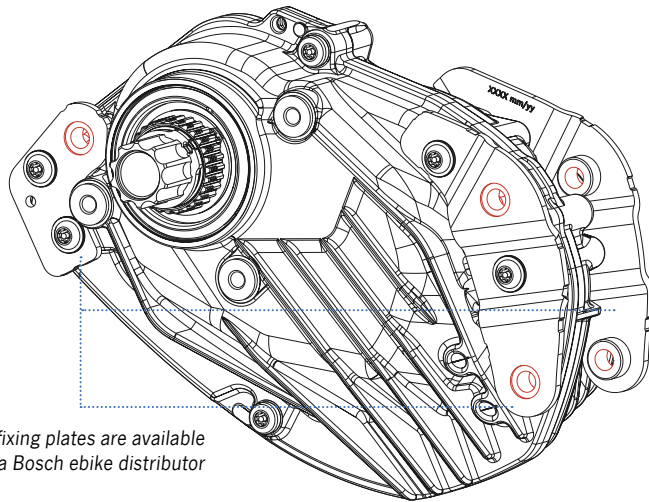
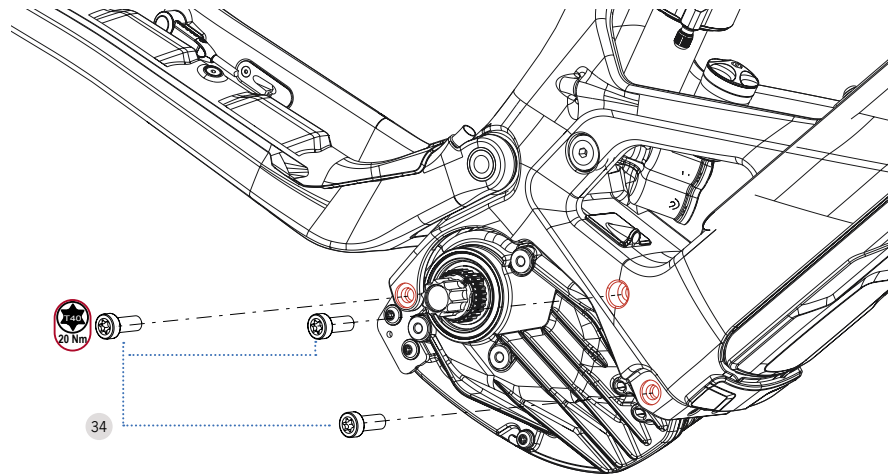
Install 2,5mm worth of washers on each bolt to separate the chainguide bracket from the motor

CHAINGUIDE OC BOSCH GEN4 32-38T

CARBON: YES | HYDRO: YES

20	ART N°: 11250034	QUANTITY
20.1	BOLT M5x20	1
20.2	CHAINGUIDE BODY	1
20.3	NUT M5	1
20.4	CHAINGUIDE BRACKET BOSCH GEN4	1
20.5	BOLT M6x10	2
20.6	WASHER M6	4

MOTOR ASSEMBLY



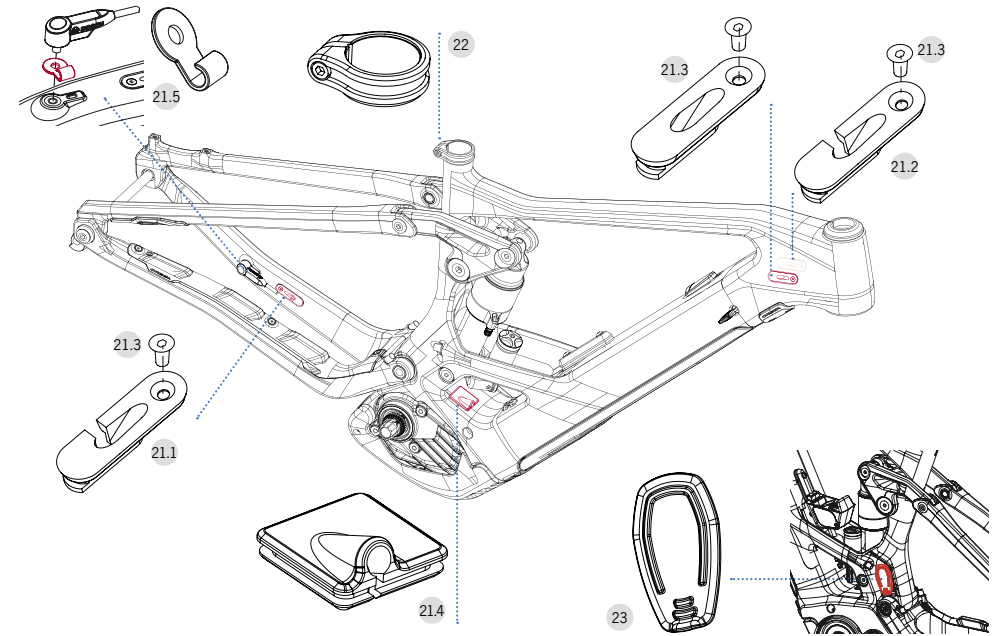
The Bosch Gen4 fixing plates are available through a Bosch ebike distributor

BOSCH GEN4 MOTOR FIXING BOLTS

CARBON: YES | HYDRO: YES

34	KIT N°: Y0000212	QUANTITY
	BOSCH GEN4 MOTOR FIXING BOLTS	6

CABLING



CABLEGUIDES KIT WILD FS 20

CARBON: YES | HYDRO: YES

21	KIT N°: Y0000213	QUANTITY
21.1	CABLEGUIDE GEAR+BRAKE OPEN	2
21.2	CABLEGUIDE GEAR+BRAKE CLOSED	1
21.3	BOLT M3x12	3
21.4	EXTERNAL BATTERY CABLE GROMMET	1
21.5	CABLE GUIDE CLIP SPEED SENSOR	1

SEATPOST CLAMP 34.9

CARBON: YES | HYDRO: YES

22	ART N°: 11160004	QUANTITY
	SEATPOST CLAMP 34.9	1

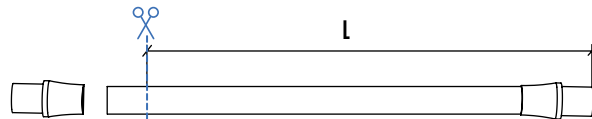
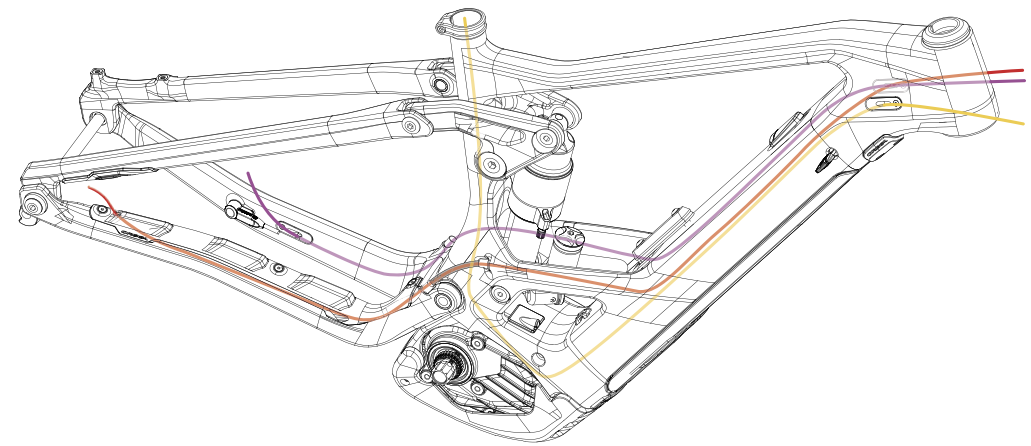
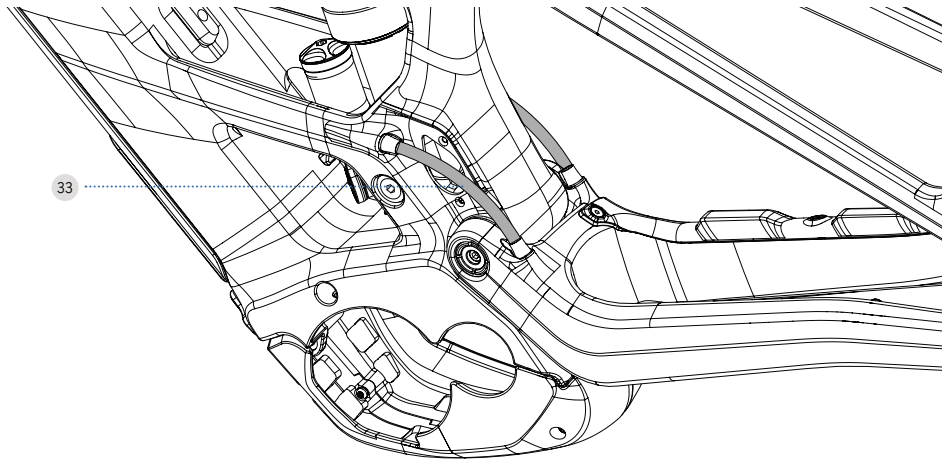
CHARGING PORT RUBBER COVER

CARBON: YES | HYDRO: YES

23	ART N°: 11209614	QUANTITY
	CHARGING PORT RUBBER COVER	1

CABLING

REAR DERAILLEUR, BRAKE AND DROPPER SEATPOST CABLE ROUTING



Cut hose to the specified length

L	
Right	145mm +ferrule
Left	110mm +ferrule

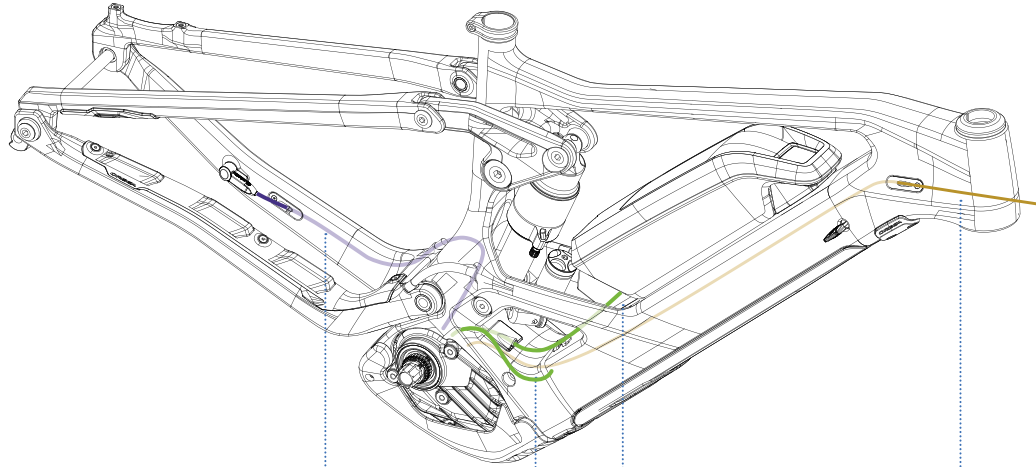
FULLSUSP CABLE SLEEVES KIT

CARBON: YES | HYDRO: YES

33	KIT N°: Y0000140	QUANTITY
	FS CABLE SLEEVE (ONE SIZE)	2
	FS SLEEVE FERRULE	2

CABLING

SPEED SENSOR, BATTERY AND DISPLAY CABLE ROUTING

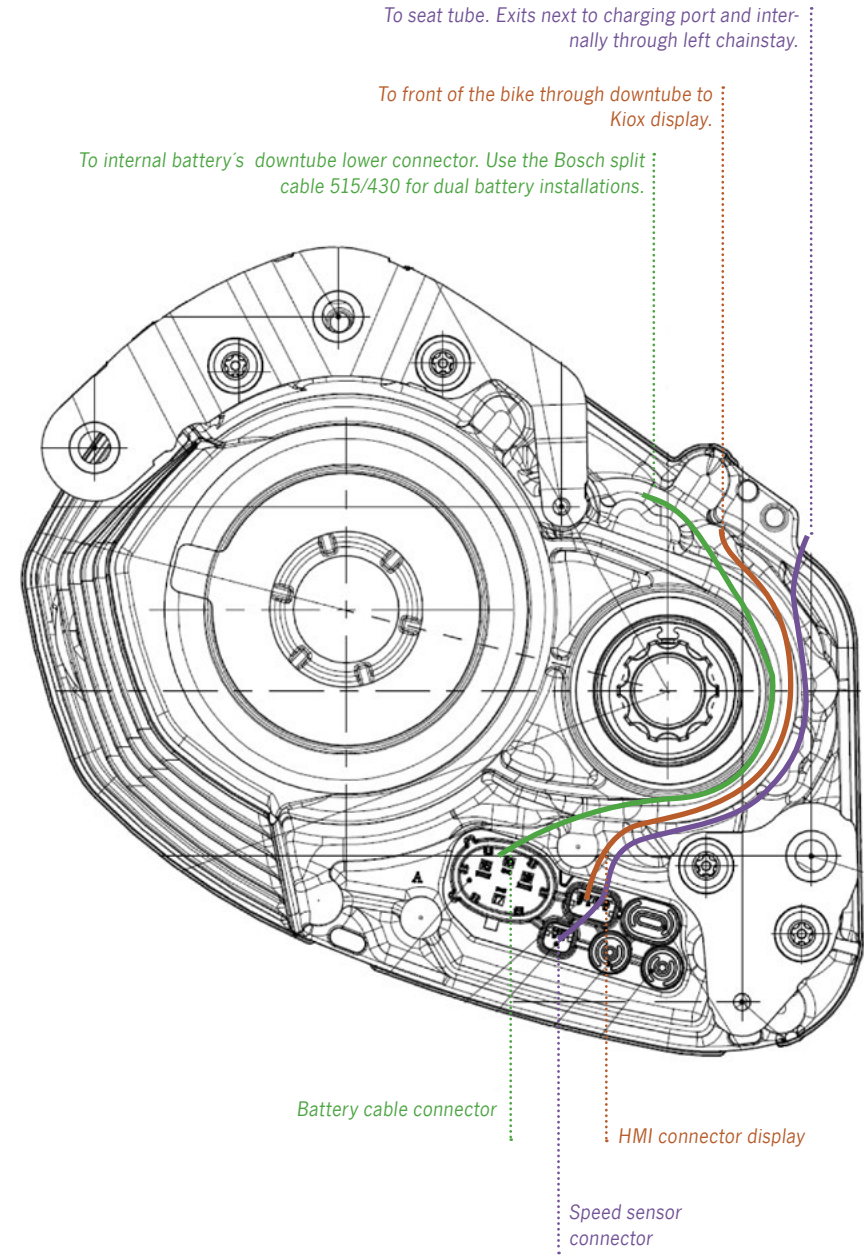
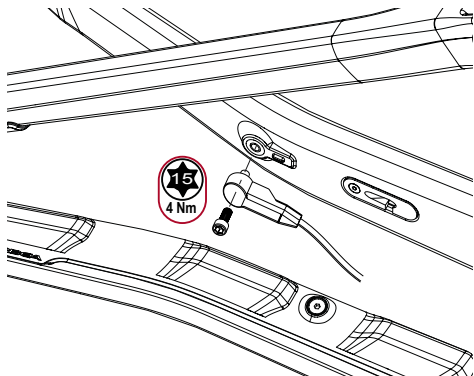


Speed sensor

Display Bosch Kiox

External battery. With Bosch 515/430 split cable.

Internal battery. Use Bosch split cable for double battery installations.



To seat tube. Exits next to charging port and internally through left chainstay.

To front of the bike through downtube to Kiox display.

To internal battery's downtube lower connector. Use the Bosch split cable 515/430 for dual battery installations.

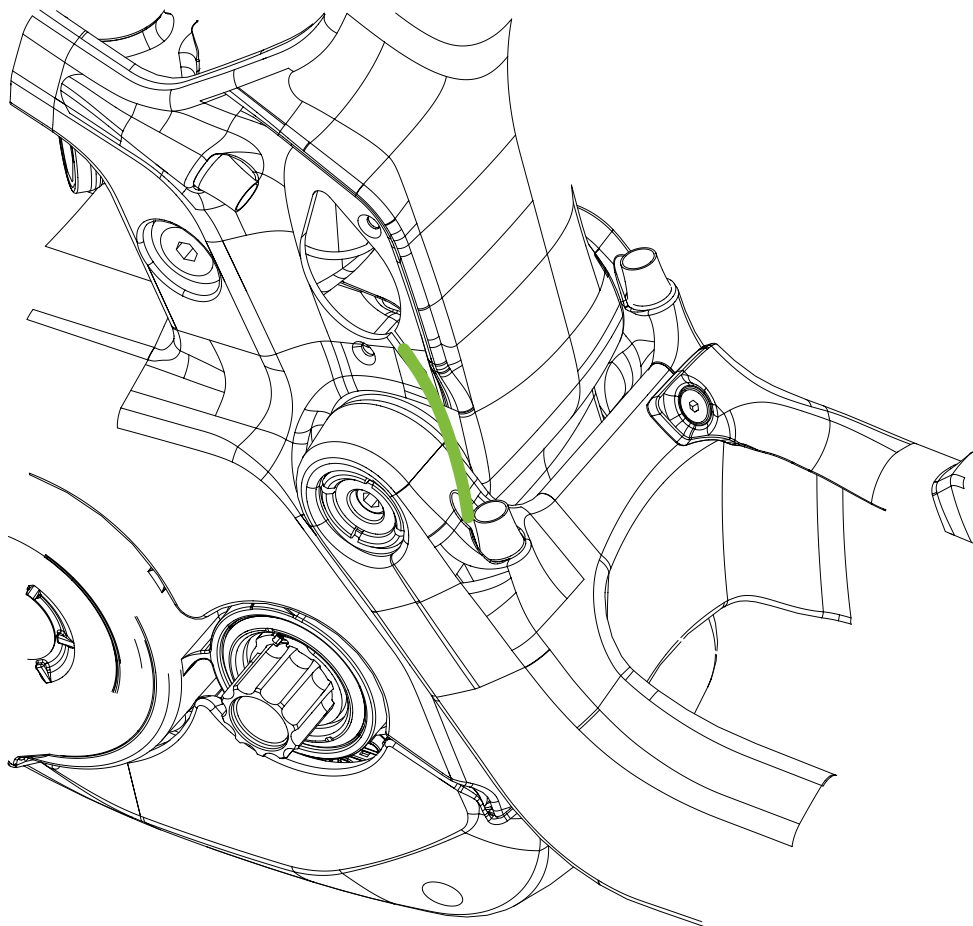
Battery cable connector

HMI connector display

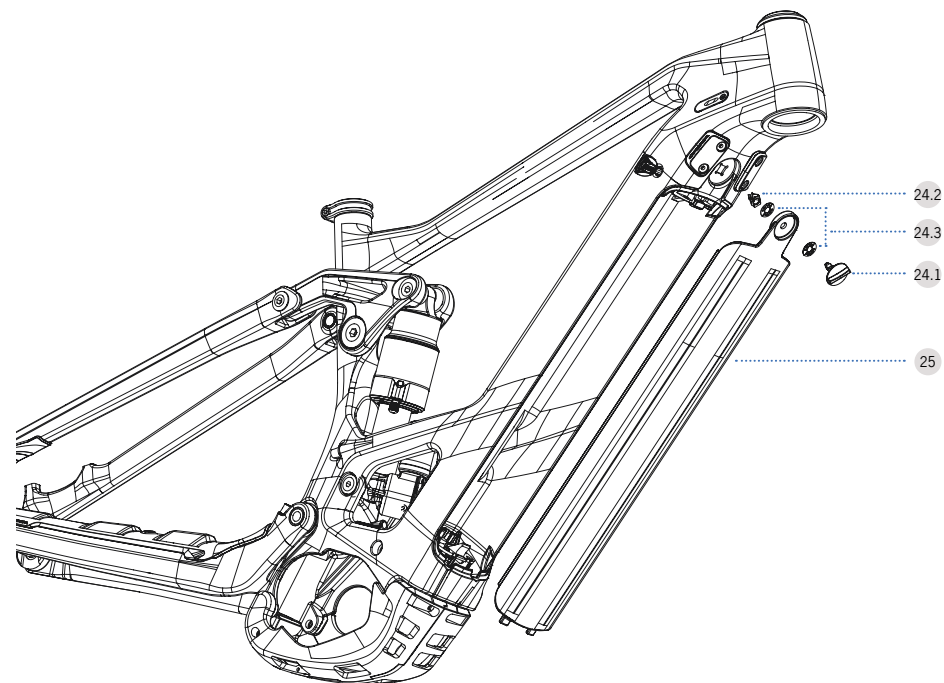
Speed sensor connector

CABLING

SPEED SENSOR CABLE ROUTING



BATTERY COVER



QUICKLOC KIT

CARBON: YES | HYDRO: YES

24 KIT N°: Y0000214

QUANTITY

24.1 QUICKLOC KNOB

1

24.2 QUICKLOC FRAME INSERT

1

24.3 PLASTIC WASHER

2

POLYMER BATTERY COVER WILD FS

CARBON: YES | HYDRO: YES

25 KIT N°: Y0000215

QUANTITY

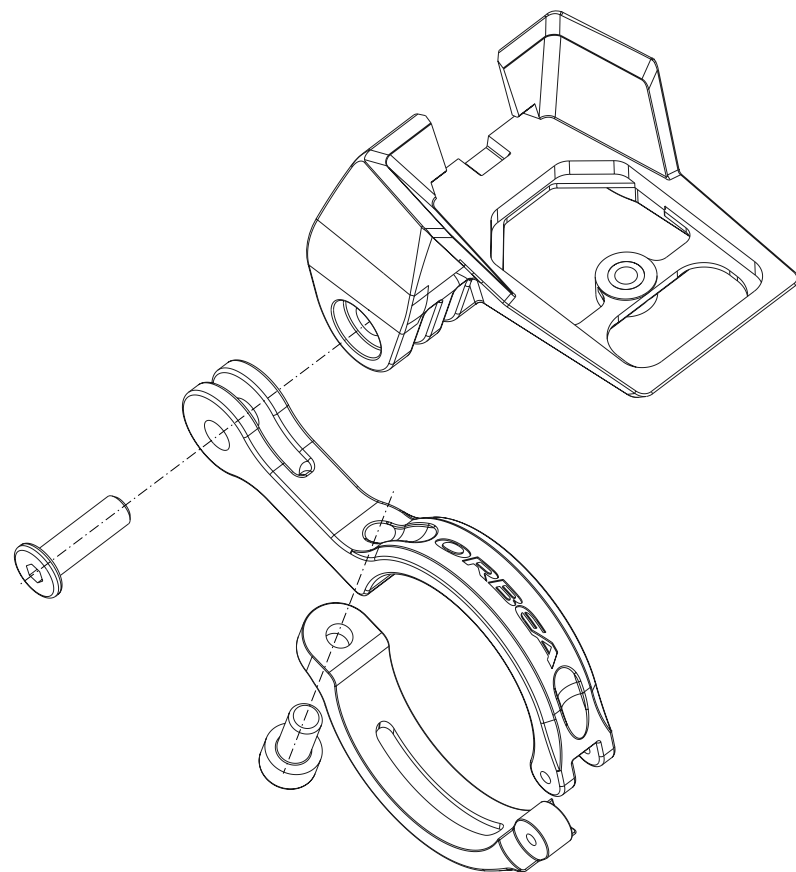
POLYMER BATTERY COVER WILD FS

1

INCLUDES QUICKLOC KIT (24)

For the carbon battery cover contact your Orbea dealer
The polymer battery cover is compatible with carbon front triangles

KIOX DISPLAY OC HOLDER

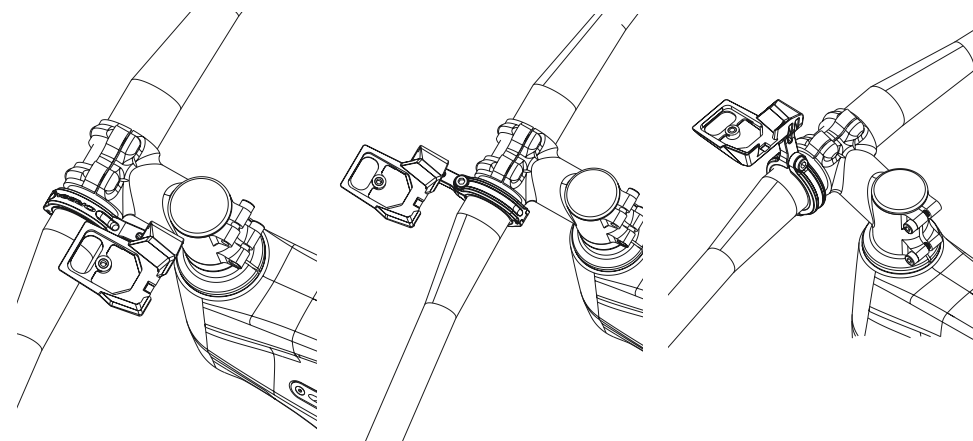


The OC Components Kiox display bracket allows three positions of the display.

- In front of the handlebar
- On top of the handlebar
- Behind the handlebar

It may be necessary to remove the holder from the handlebar and reposition the cables so they are not tight before fixing the holder on the preferred position. The display cables must not be tight, otherwise they may be damaged when crashing.

Turn the bracket around the handlebar and adjust the pivot point between the bracket and the display holder until the desired position is achieved.



To remove the Kiox display from the OC Components holder, unscrew first the bolt on the back of the holder with a 2.5mm Allen key.

Using a bolt longer than the original may damage the display.

Consult the complete Kiox display user's manual here: https://www.bosch-ebike.com/fileadmin/EBC/Service/Downloads/NA_MY19/BU1330_Kiox_MY19_US_ohne.pdf?_=1539780786

OC COMPONENTS KIOX DISPLAY HOLDER 35MM CARBON: YES | HYDRO: YES

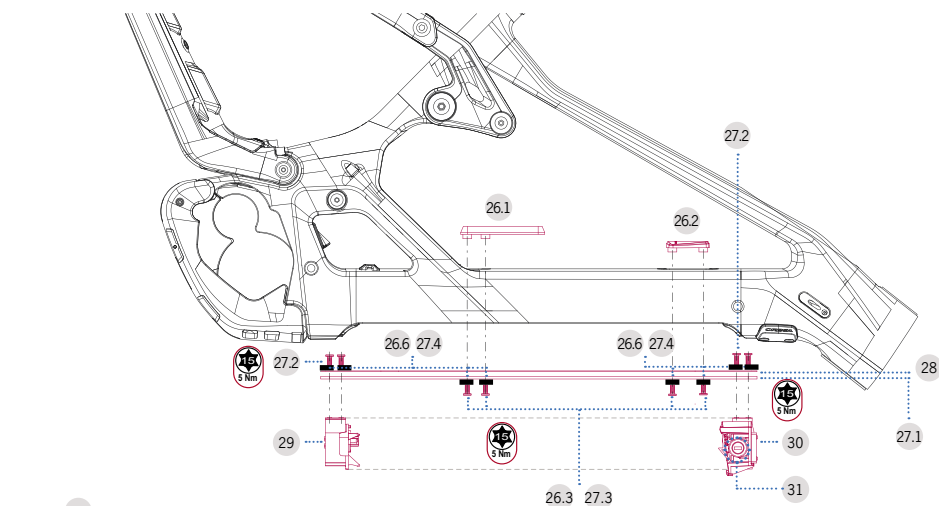
ART N°: 11000527

QUANTITY

OC COMPONENTS KIOX DISPLAY HOLDER 35mm

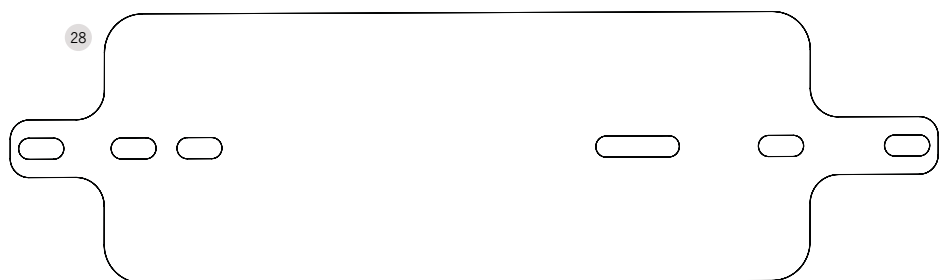
1

INTERNAL BATTERY ASSEMBLING



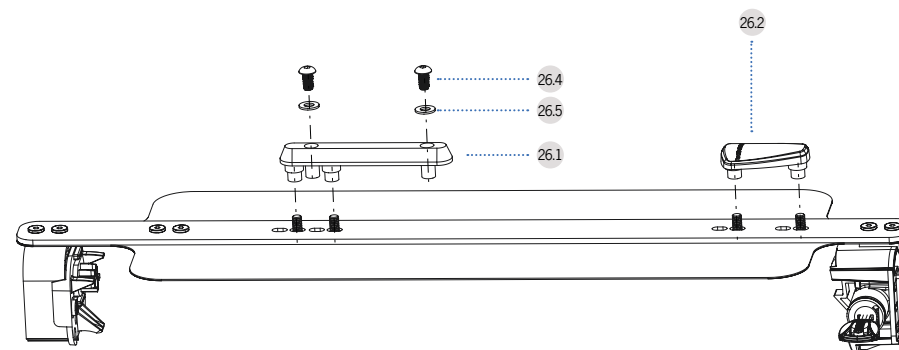
Use the correct mounting plate holes to attach the plate to the downtube depending on the frame size,

Assemble the PowerTube battery lower holder in its correct position depending on the battery's capacity (Wh).



"To change the position of the lower battery connector between 500wh and 625wh, after removing the fixing brackets from the top of the downtube to free the battery fixing plate, the motor needs to be removed and the motor cables disconnected to allow the fixing plate to be detached from the bike, then the lower battery connector fixing bolts can be accessed. Change the lower connector to the desired position on the fixing plate and revert the process to install the motor and the battery fixing plate assembly."

This modification must be performed by an Orbea dealer.



BATTERY PLATE/BOTTLE HOLDER FIXING KIT

INTERNAL BATTERY FIXING PLATE NOT INCLUDED

CARBON: YES | HYDRO: YES

26	KIT N°: Y0000216	QUANTITY
26.1	PLATE+BOTTLE HOLDER FIXING BRACKET	1
26.2	TOP PLATE FIXING BRACKET	1
26.3	BOLT M5x8 BN20146	4
26.4	BOTTLE HOLDER BOLT M5x8	2
26.5	BOTTLE HOLDER WASHER	2
26.6	LOCKING WASHER M5	4

INTERNAL BATTERY FIXING PLATE KIT

CARBON: YES | HYDRO: YES

27	KIT N°: Y0000217	QUANTITY
27.1	INTERNAL BATTERY FIXING PLATE	1
27.2	BOLT M5x12 BM20146	4
27.3	BOLT M5x8 BN20146	4
27.4	LOCKING WASHER M5	8

LAMINATED PROTECTOR WILDNESS

CARBON: YES | HYDRO: YES

28	ART N°: 11000531	QUANTITY
	LAMINATED PROTECTOR WILDNESS	1

29 LOWER BOSCH POWERTUBE BATTERY BRACKET** CARBON: YES | HYDRO: YES

30 TOP BOSCH POWERTUBE BATTERY BRACKET** CARBON: YES | HYDRO: YES

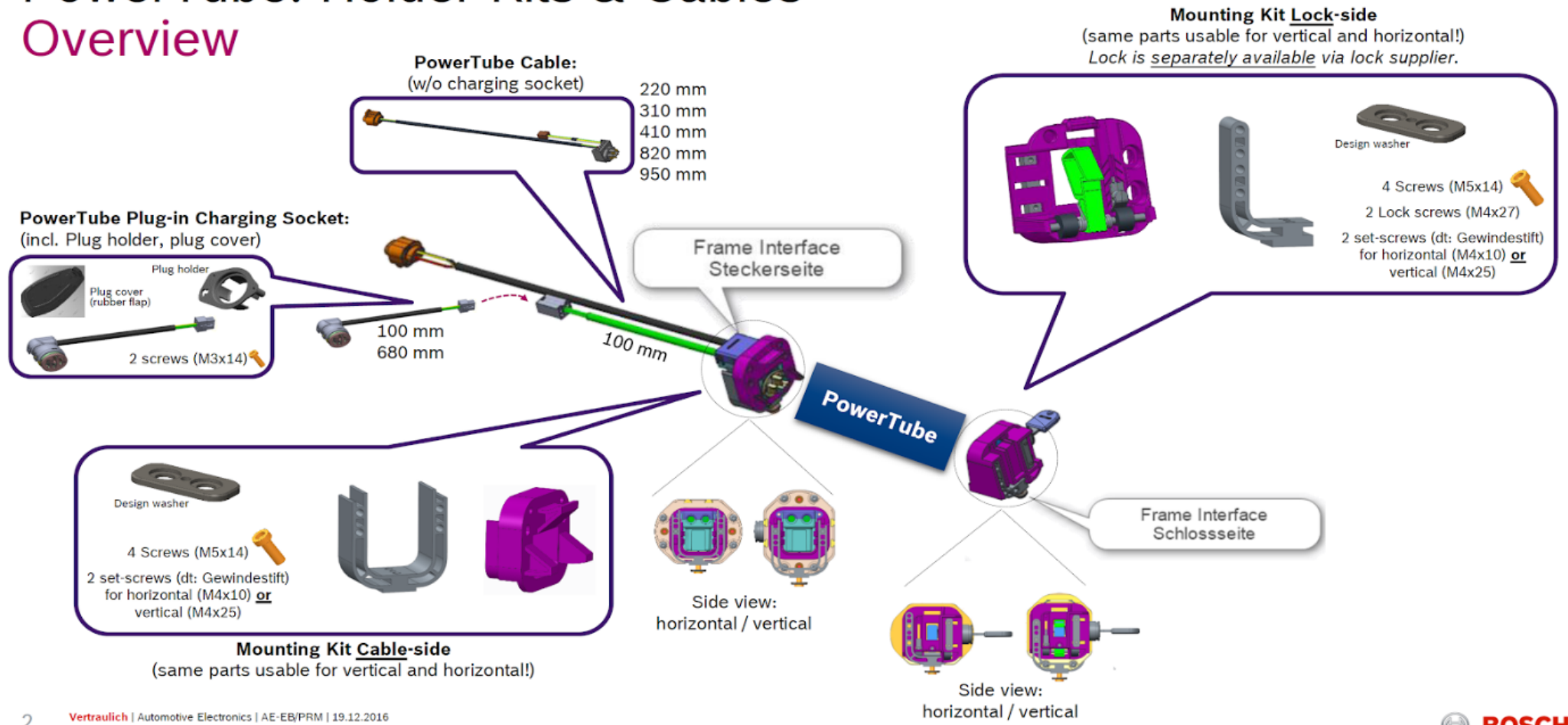
31 ABUS BOSCH POWERTUBE LOCK+KEY** CARBON: YES | HYDRO: YES

**Through Bosch dealer

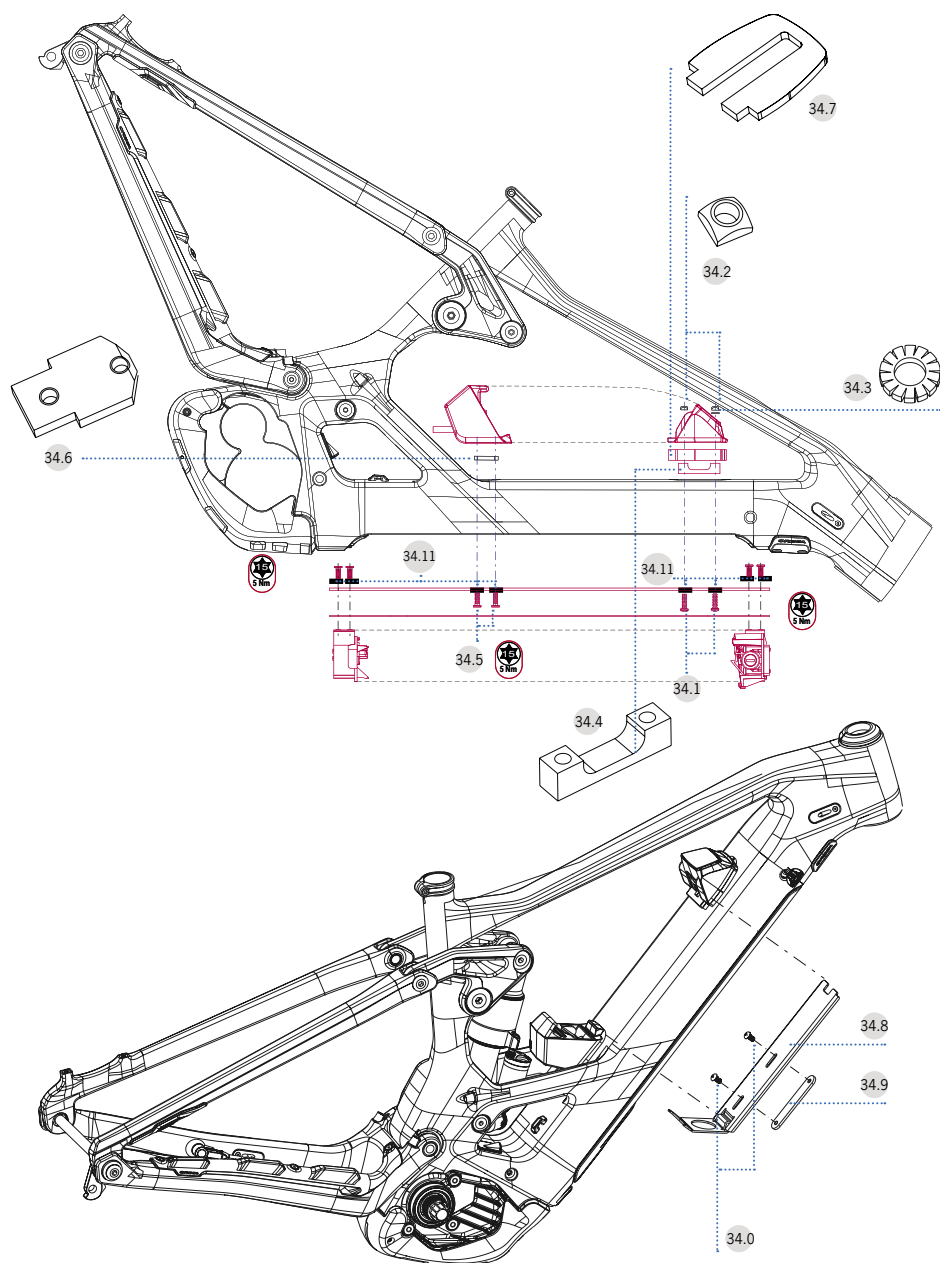
THE BOSCH POWERTUBE SPECIFIC COMPONENTS IN THE DIAGRAM BELOW MAY BE PURCHASED THROUGH A BOSCH DEALER

PowerTube: Holder Kits & Cables

Overview



EXTERNAL BATTERY ASSEMBLING



The complete external battery connection kit is only available as an option when purchasing a Wild FS from Orbea. For bikes that were purchased with the internal battery only, Orbea will facilitate the components that are Orbea's own and specific to the Wild FS frame for the installation of the external battery. These items are included in the kit Y0000218 below.

The electric components, like cables and battery brackets, as well as the locks, may be purchased through a Bosch or Abus distributor. These components are listed below.

These manufacturer's components are listed as a reference. We recommend to consult an Abus or Bosch distributor for the final list of articles needed.

The installation of these components needs an advanced mechanical and electrical knowledge and can only be performed by a certified Orbea dealer.

The use of a dual battery requires the electric system to be updated for the correct operation of all components. This update must be carried out by a Bosch ebike dealer.

WILD FS 2020 EXTERNAL BATTERY HARDWARE KIT CARBON: YES | HYDRO: YES

34	KIT N°: Y0000218	QUANTITY
34.1	BOLT M5x30 ISO7380	2
34.2	SQUARE NUT M5	2
34.3	LOCKING WASHER M5	1
34.4	U SHAPED BATTERY HOLDER SPACER 11.95mm	1
34.5	BOLT M5x15	2
34.6	BATTERY CHARGING POINT FIXING NUT	1
34.7	WILD FS DUAL BATTERY FOAM	1
34.8	DUAL BATTERY PLATE	1
34.9	DUAL BATTERY NUT	1
34.10	BOLT M5x10	1
34.11	LOCKING WASHER M5	8

REAR SHOCK ADJUSTMENT

ABUS COMPONENTS	REFERENCE	DESCRIPTION
POWERPACK LOCK PLUS + KEY When ordering the new lock, facilitate your abus distributor the key number on your Wild FS so the new lock is made to match the key, enabling you to use the same key for both batteries.	33261	BLO BOS DT2 PLUS

BOSCH COMPONENTS	REFERENCE	DESCRIPTION
STANDARD BATTERY CABLE	1.270.015.067	Battery Cable Standard
LOWER POWERPACK BATTERY HOLDER LEFT	0.275.007.425	Battery holder kit
LOWER POWERPACK BATTERY HOLDER RIGHT		
SCREW 3,5x12 (x2)		
ALUMINUM BRACKET HOLDER	0.275.007.426	Mounting set for bracket battery frame
BATTERY BRACKET BOLT (x2)		
PLASTIC CASING LOCK TOP	1.270.020.605	Kit plastic casing lock frame
PLASTIC CASING LOCK BOTTOM		
SCREW 3,5x12 (x1)		
BOLT M5x12 (x2)		
CABLE "Y" DUAL BATTERY 515/430mm	0.275.007.930	Bosch Dual Battery Y-Adapter kit
CHARGING SOCKET BLANK PLUG (x2)		
TAPÓN PIN SOPORTE BATERÍA		

Fox Float DPS shock:

<https://www.ridefox.com/dl/bike/605-00-164-FLOAT-DPS-Tuning-Guide-white-revA.pdf>

Fox Float DPX2 shock:

<https://www.ridefox.com/dl/bike/605-00-197-FLOAT-DPX2-Tuning-Guide-white-revA.pdf>

Fox Float X2 shock:

<https://www.ridefox.com/dl/bike/605-00-165-FLOAT%20X2%20Tuning%20Guide-revA.pdf>

Fox DHX2 shock:

<https://www.ridefox.com/dl/bike/605-00-166-DHX2-Tuning-Guide-white-revA.pdf>

MAINTENANCE

Orbea products are carefully designed to be long-lasting, efficient and easy to maintain. The carbon and aluminum frames on the Wild FS are extremely corrosion-resistant. However, your Orbea bicycle needs regular maintenance of its components in order to work properly and to ensure their longevity.

1) KEEP YOUR WILD FS CLEAN

Washing your bike with mild soap and water will keep you looking stylish and allow you to check the condition of the frame and components. Don't use high water pressure and avoid spraying water into bearings or frame tubes. Citrus degreasers are biodegradable and do a great job of removing dirty grease from gears and chain.

2) KEEP YOUR WILD FS LUBED

Once your bike is clean, it's a good time to put fresh lube on the chain. Use only enough to get inside the links and wipe off any excess because it will attract dirt. Headset and pivot bearings should be inspected every few months for smoothness and to ensure that the seals are intact and lube is clean.

3) INSPECT YOUR WILD FS BEFORE YOU RIDE

Do a quick check before every ride to make sure your bike is in excellent condition. It is very common to discover small issues at home that can become big problems on the trail. **CHAIN** Is the chain dirty, noisy or dry? Clean and lube your chain before riding. **BRAKES** Check your brakes to make sure they are working correctly. Check for missing/loose caliper and rotor bolts. **TIRES** Look for damage to the sidewalls of your tires. Check and adjust tire pressure. **WHEELS** Spin the wheels and look for wobbles, check for loose or broken spokes. Check quick release levers to make sure they are functioning properly. **FRONT END** Stand over the saddle, pull on the brakes and rock the bike back and forth. Feel for any play or knocking that might indicate a loose headset, loose brake rotors or calipers, or worn fork bushings.

TEST RIDE Take a quick ride up and down the street to make sure your bike is shifting and braking properly. Listen for unusual noises.

4) BEARINGS

Bearings are one element subject to wear and tear. They must be in good condition to ensure that the other parts of the bicycle work correctly: on the wheels, the steering column and the bottom bracket.

Regularly check to make sure that the bearings turn freely in their housing and there are no signs of lateral play. Bearings that do not turn properly or that have any lateral play must be replaced immediately in order to prevent wear and tear to the parts of the frame. Very damp weather conditions can cause the bearings to wear out faster. Avoid washing your bicycle with pressurized water hoses. If you have any questions, take your bicycle to an Orbea dealer for correct diagnosis and maintenance.

5) BOSCH EBIKE ELECTRIC SYSTEM

Ebikes' electric systems use complex electronic components that require your attention. Always read the available documentation before using your ebike and follow the recommended use and maintenance instructions.

This documentation will allow you to get the maximum performance out of your ebike.

To know more about the Bosch system on your Wild FS, go to:

<https://www.bosch-ebike.com/>

AFTER A CRASH OR IMPACT

Falling is part of riding and it's impossible to avoid minor accidents. If you crash your Wild FS, please make sure you are okay and seek medical attention if necessary. If you are not injured, you should check your bike before continuing:

1) Inspect your frame and components for damage.

Do not ride your bike if any problems are detected.

WHAT TO LOOK FOR

Inspect Frame and fork for evidence of cracking or bending. If cracks are discovered, discontinue use immediately.

Check the drivetrain and spin the wheels to make sure components are operating correctly. If you discover damage to your components, discontinue use immediately.

Even if you don't find any damage, pay careful attention to the sound of your bike when you continue riding. Unusual noises can be caused by cracks or other problems. A well-maintained bike will be quiet and free of creaks or squeaks. Investigate and locate the source of any new noises.

2) Bring your bike to your Orbea dealer for professional inspection.

Some damage can only be detected by disassembling the bike to check for cracks or other signs of stress.

A crash or impact can put extraordinary stress on your bike and components, causing them to fail or to fatigue prematurely. Failure can happen suddenly with no warning, causing loss of control, serious injury or death.

ORBEA WARRANTY

The constant effort we make every day to produce the highest quality bicycles enables us to offer the following warranty and coverage conditions:

LEGAL WARRANTY

Orbea guarantees its products by law for a period of 2 years or whatever has been stipulated as the legal warranty period in the country where the purchase was made, to the original owner of the bicycle/component.

This warranty covers Orbea products against manufacturing defects and/or lack of conformity and guarantees the repair or replacement of the defective product at no cost to the affected customer. Likewise, this warranty also covers paint, varnish and corrosion defects on all frames and rigid forks assembled on our bicycles during the period specified in the first paragraph of this warranty.

This warranty does not cover in any case damage derived from misuse or the lack of maintenance, or from the normal wear and tear of perishable parts, such as, but not limited to: seals, bearings, handlebar tape, spokes, hub, threads, tires, seat, etc.

See the full description of the coverage and the legal warranty conditions at:
<https://www.orbea.com/int-en/warranty-benefits/>

ORBEA LIFETIME WARRANTY

As a complement to the legal warranty, Orbea offers the original buyer of the bicycle, under the condition of having registered their bicycle on the Orbea website within a period of 30 days following its purchase, the Orbea Lifetime Warranty, which covers the frames and rigid forks we assemble on our bicycles, with no time limit, against manufacturing defects.

This warranty extends the original period of coverage against paint, varnish or corrosion defects on our frames and rigid forks for one additional year after the end of the legal warranty period.

See the full description of the coverage and the Lifetime Warranty conditions at:

<https://www.orbea.com/int-en/warranty-benefits/>

REGISTER YOUR BICYCLE

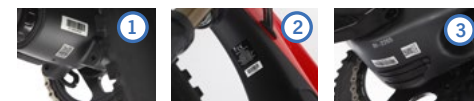
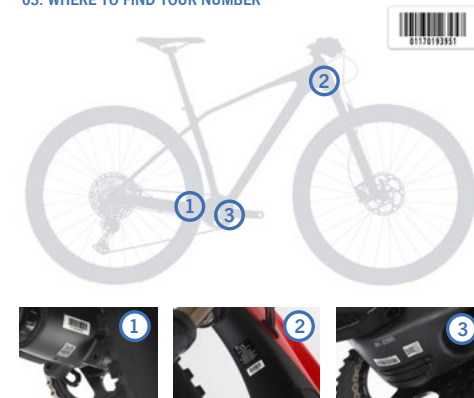
In order to benefit from the extension of the Orbea Lifetime Warranty, register your bike within the first 30 days of having purchased it at www.orbea.com

01. REGISTER YOUR ACCOUNT



02. REGISTRATION NUMBER

03. WHERE TO FIND YOUR NUMBER



ADDITIONAL INFORMATION

ORBEA participates actively on facebook and Twitter with our fantastic global community of riders. Looking to find spots to ride or plan a vacation? Someone will have the answers:

FACEBOOK

www.facebook.com/OrbeaBicycles

TWITTER

www.twitter.com/Orbea/

YOUTUBE

Visit our Orbea Channel on You Tube for a variety of helpful setup and tech videos:

www.youtube.com/user/OrbeaBicycles

INSTAGRAM

www.instagram.com/orbeabicycles

ORBEA CONTENT

View and download photos, videos and documents.

content.orbea.com/us-en/

BLOG ORBEA

www.orbea.com/es-es/blog/

YOUR ORBEA DEALER

Our dealers are experts and should be able to assist you with setting up and maintaining your Orbea bicycle. A complete listing of Orbea dealers and distributors can be located on our website:

www.orbea.com/us-en/dealers/?country=INT

SUPPORT

For technical questions about Orbea products, write to:
support@orbea.com

For any other question:
orbea@orbea.com



ORBEA

WWW.ORBEA.COM